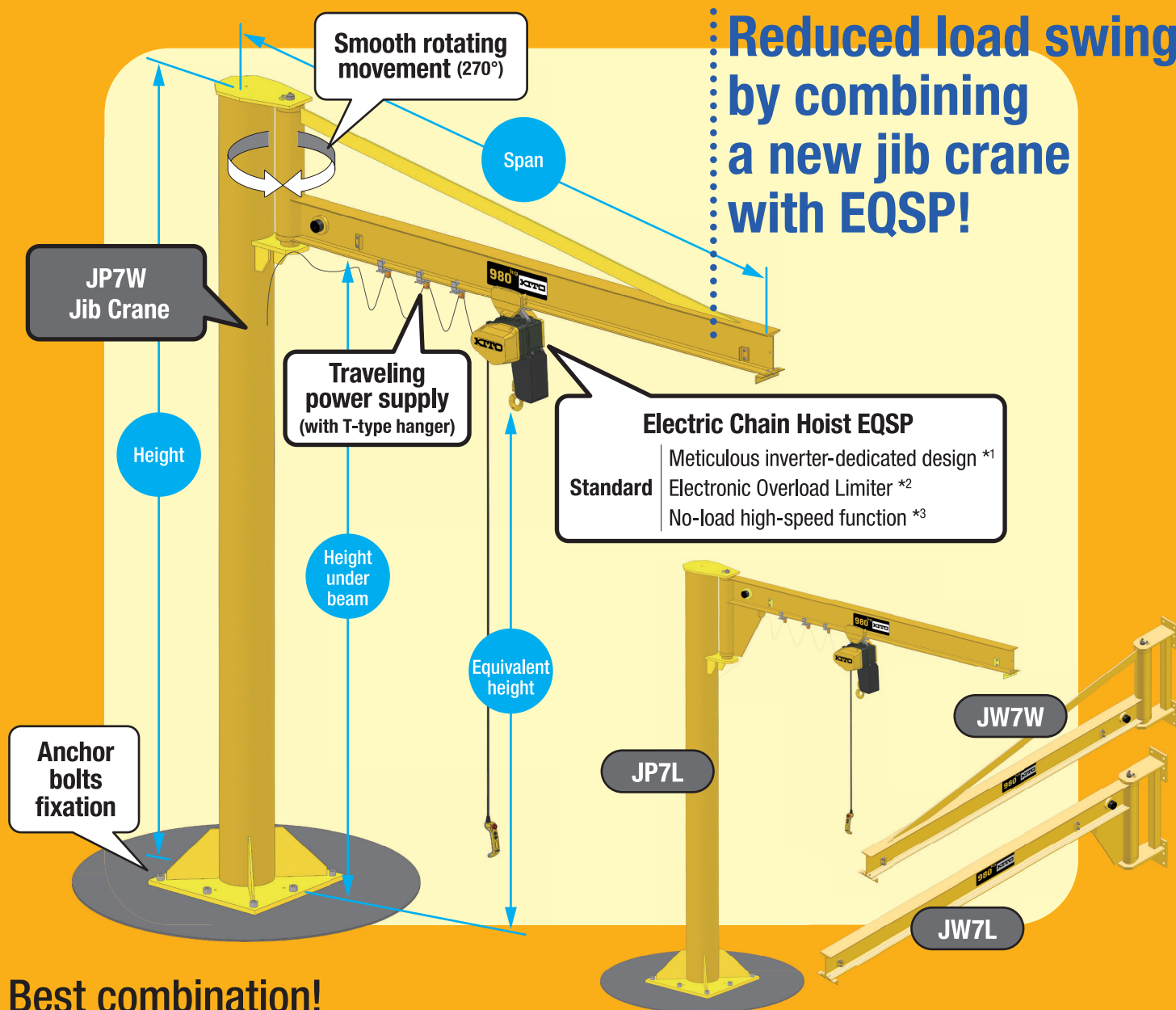


SIAM KITO



Best combination!

SIAM KITO JIB CRANES PACKAGE

Jib Cranes + Electric Chain Hoist EQSP + Traveling Power Supply (with T-type hanger)

JP7W JP7L JW7W JW7L

KITO JIB CRANES PACKAGE (Price for End User)

NET PRICE PACKAGE (Not include Tax)	JP7W		JW7W		JP7L		JW7L	
	Span: 3m	Span: 4m	Span: 3m	Span: 4m	Span: 3m	Span: 4m	Span: 3m	Span: 4m
1. JIB 1000KG + EQSP 010 IS	296,000	302,000	247,000	253,000	301,000	309,000	252,000	259,000
2. JIB 500 KG + EQSP 005 IS	238,000	268,000	203,000	219,000	242,000	273,000	207,000	224,000
3. JIB 250 KG + EQSP 003 IS	223,000	260,000	195,000	211,000	234,000	265,000	199,000	216,000

•Hoist: EQSP (Up and down is inverter type)

NET PRICE PACKAGE (Not include Tax)	JP7W		JW7W		JP7L		JW7L	
	Span: 3m	Span: 4m	Span: 3m	Span: 4m	Span: 3m	Span: 4m	Span: 3m	Span: 4m
1. JIB 1000KG	151,000	155,000	101,000	106,000	106,000	155,000	106,000	113,000
2. JIB 500 KG	122,000	151,000	87,000	101,000	101,000	125,000	90,000	106,000
3. JIB 250 KG	115,000	151,000	87,000	101,000	101,000	125,000	90,000	106,000

*1: Inhibited load swing or jib vibrations due to slow start-up/stop (compared with single-speed lifting type)
 *2: Available as "equipment to prevent an overload" mentioned in Article 27 of Crane Structure Standards.
 *3: Capable of lifting and lowering at 1.3 times greater than high speed under no load to 30% of the rated load.

•For the price, transportation charge and ordering, inquire with the numbers in the specification table above.
 •Inquire about combined sales with EQSG and EQM, which we also respond to.

SIAM KITO JIB CRANES PACKAGE

JP7W

JP7L

JW7W

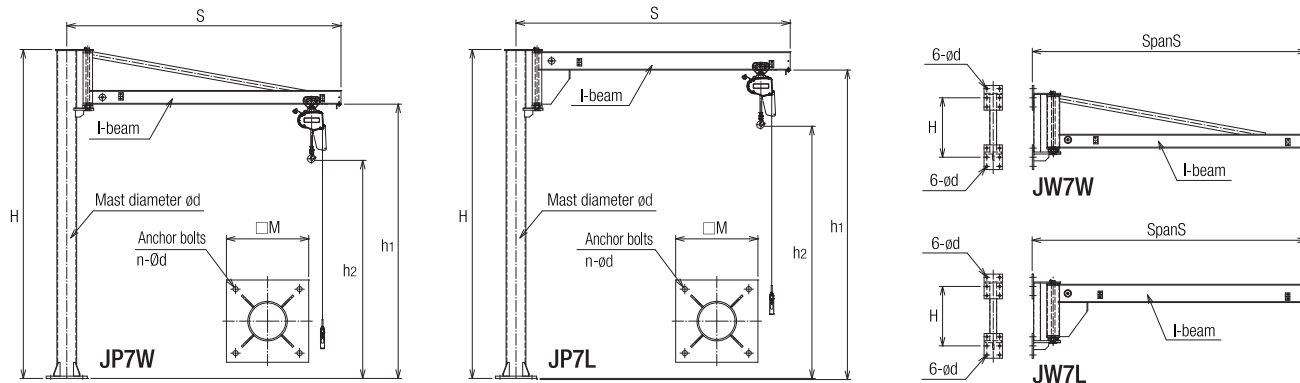
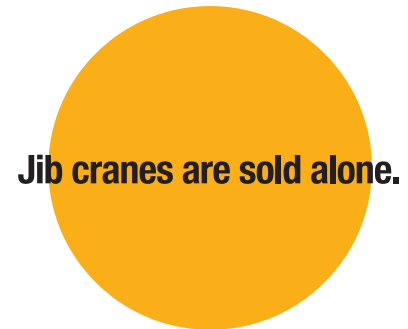
JW7L

Specifications of Pillar Jib Crane

Rated load (kg)	Type		Span S (m)	Height H (m)	Height under beam h1 (m)	Equivalent height h2 (m)	I-beam size (mm)	Mast diameter øb (mm)	Base size M (mm)	Anchor bolt diameter ød (mm)	Number of Anchor bolt n (pcs)	Mass (kg)
250	JP7W0103UN03	JP7W0303UN03	3	3.5	2.902	2.487	I-150x75x5.5x9.5	216.3	□450	M24	4	294
	JP7W0104UN03	JP7W0304UN03	4		2.666	2.251	I-200x100x7x10	355.6	□900		8	728
	JP7L0103UN03	JP7L0303UN03	3		3.275	2.860		216.3	□450		4	310
	JP7L0104UN03	JP7L0304UN03	4		3.217	2.802	I-250x125x7.5x12.5	355.6	□900		8	768
500	JP7W0403UN03	JP7W0403UN03	3	3.5	2.902	2.472	I-150x75x5.5x9.5	267.4	□600	M24	4	395
	JP7W0404UN03	JP7W0404UN03	4		2.666	2.236	I-200x100x7x10	355.6	□900		8	728
	JP7L0403UN03	JP7L0403UN03	3		3.275	2.845		267.4	□600		4	411
	JP7L0404UN03	JP7L0404UN03	4		3.217	2.787	I-250x125x7.5x12.5	355.6	□900		8	768
1000	JP7W0903UN03	JP7W0903UN03	3	3.5	2.666	2.176	I-200x100x7x10			M24		696
	JP7W0904UN03	JP7W0904UN03	4				I-250x125x7.5x12.5	355.6	□900		8	780
	JP7L0903UN03	JP7L0903UN03	3		3.217	2.727						729
	JP7L0904UN03	JP7L0904UN03	4				I-250x125x10x19					829

Specifications of Wall Mounted Jib Crane

Rated load (kg)	Type		Span S (m)	Bracket centers H (mm)	I-beam size (mm)	Fixing bolt diameter ød (mm)	Mass (kg)
250	JW7W0103UN00	JW7W0303UN00	3	650	I-150x75x5.5x9.5	M20	121
	JW7W0104UN00	JW7W0304UN00	4	890	I-200x100x7x10	M24	206
	JW7L0103UN00	JW7L0303UN00	3	650		M20	137
	JW7L0104UN00	JW7L0304UN00	4	890	I-250x125x7.5x12.5	M24	243
500	JW7W0403UN00	JW7W0403UN00	3	650	I-150x75x5.5x9.5	M20	121
	JW7W0404UN00	JW7W0404UN00	4	890	I-200x100x7x10	M24	206
	JW7L0403UN00	JW7L0403UN00	3	650		M20	137
	JW7L0404UN00	JW7L0404UN00	4	890	I-250x125x7.5x12.5	M24	243
1000	JW7W0903UN00	JW7W0903UN00	3		I-200x100x7x10		174
	JW7W0904UN00	JW7W0904UN00	4	890	I-250x125x7.5x12.5	M24	261
	JW7L0903UN00	JW7L0903UN00	3				207
	JW7L0904UN00	JW7L0904UN00	4		I-250x125x10x19		307



Specifications of EQSP

Rated load (kg)	Type	EQ							EQSP							
		Hoist body	Standard lift (m)	Push button cord :L(m)	Lifting motor		Lifting speed (m/s)			Load chain Diameter x Chain falls (mm)	Classification	Flange width :B (mm)	Min. radius curve (mm)	Test load (t)	Net weight (kg)	Additional weight per 1m lift (kg)
					Output (kW)	Rating (%ED)	High	Low	No-load high-speed							
250	EQSP003IS	C	4	3.5	0.5	40/20	0.167	0.0283	0.217	ø5.6x1	M6	[50]-75-100	1100	313kg	35	0.71
500	EQSP004IS				0.75		0.127	0.0217	0.165			125-150-175-200				
1000	EQSP009IS	D			1.5		0.118	0.0200	0.153	ø7.1x1	M5	75-100-125	1300	1.23	50	1.14

•The mass is for the range of lift = 4 m. Note that when the applicable rail width assumes a value in the brackets [], the minimum radius of rotation assumes a value in the brackets [].

- The functions and performance of the products mentioned in the catalog have been designed based on the related regulations and standards. If they are used for other than their intended purposes such as being integrated into your equipment, we will not take any responsibility for accidents attributable to their unintended usages as well as guarantee their performance and functions. Never remodel our products.
- When you want to use our products for special purposes, consult us in advance.
- When you want to export our products, consult us in advance. There are different standards and regulations from one destination to another.
- It is prohibited to reprint, copy or divert all the information in this catalog (product patents, trademarks, photos, designs, copies, illustrations, etc.) without our consent.
- The specifications in this catalog are partly subject to change without prior notice.
- Product specifications may vary depending on the country. For more details please contact the nearest KITO dealer.

KITO
SIAM KITO CO., LTD.

Chonburi (Head Office)
205 M.2 T.Khlong Tumru, A.Muang Chonburi, Chonburi 20000
Tel. 66 (0) 3819-5711 Fax : 66 (0) 3819-5715
E-mail : sale@siamkito.co.th

Ayutthaya
19 / 113 M.4 T.Kanham, A. U-Thai, Ayutthaya 13210
Tel. 66 (0) 3574-5611 Fax: 66 (0) 3574-562-3
E-mail : ayutthaya@siamkito.co.th

Rayong
7 / 382 M.6 , Amatacity Industrial Estate T.Mabyangporn,
A.Pluakdaeng, Rayong 21140
Tel. 038-027444-7 Fax: 038-027448

Distributed by: